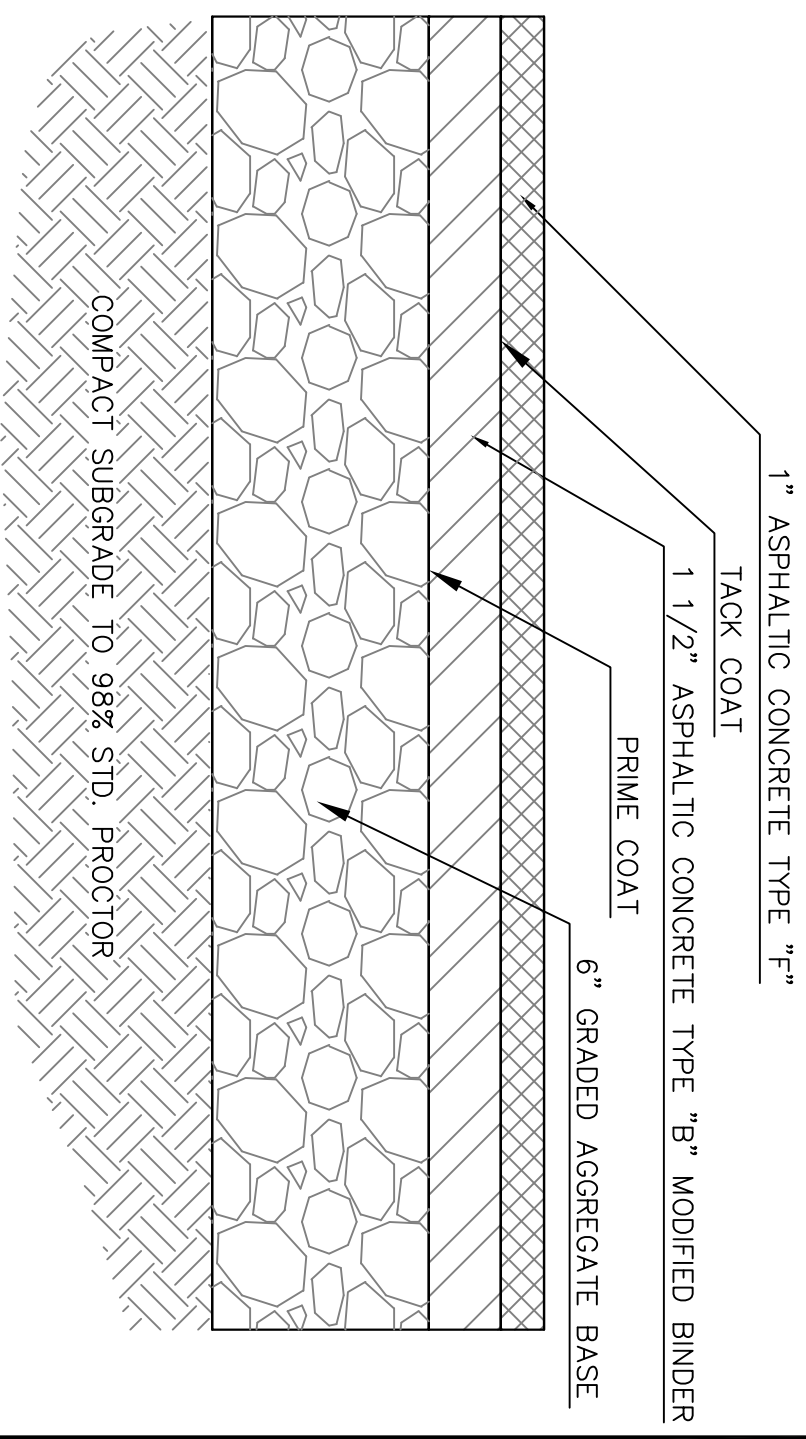


COMPACT SUBGRADE TO 98% STANDARD PROCTOR;
3000 P.S.I. CONCRETE
Z-SLUMP, W/ SMOOTH FINISH
EXPANSION JOINTS REQUIRED AT ALL STRUCTURES AND CURB RETURNS. MAX. DIST BETWEEN CONTROL JOINTS - 25'.

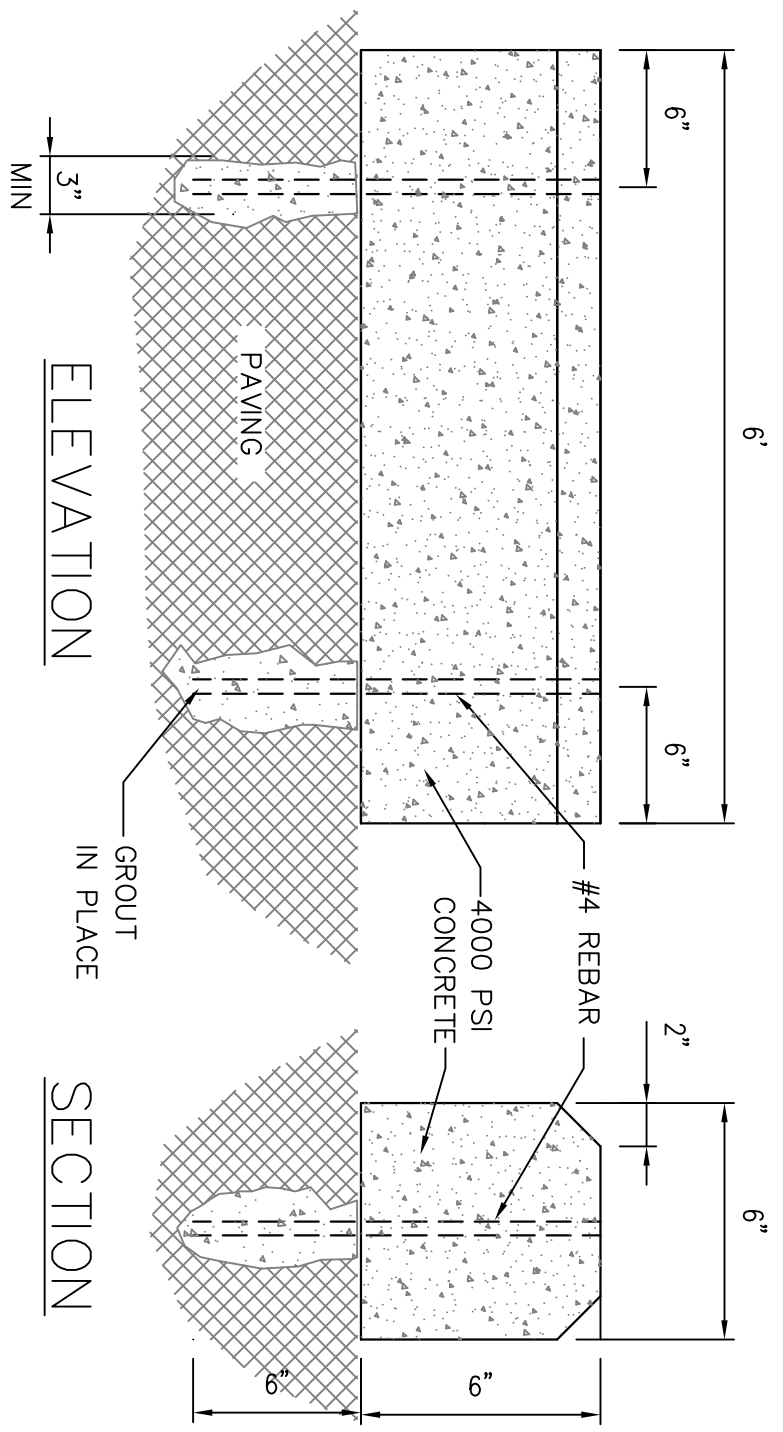
HEADER CURB

N.T.S.



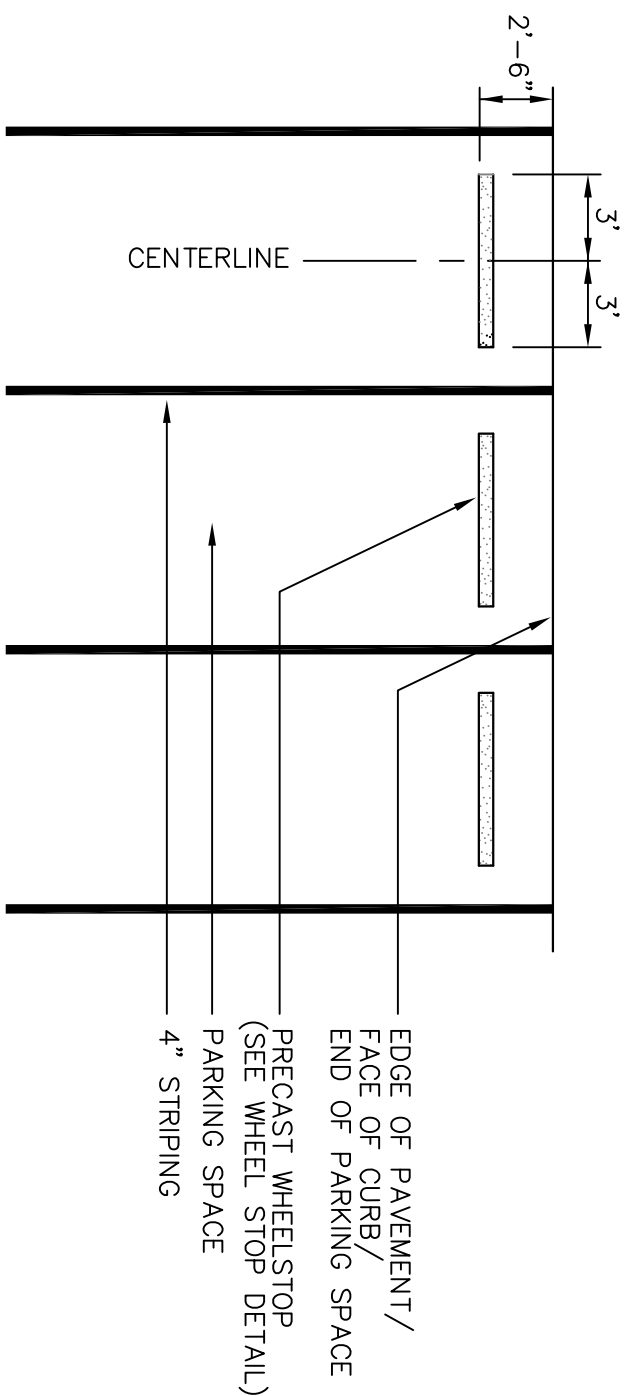
LIGHT DUTY PAVEMENT

N.T.S.



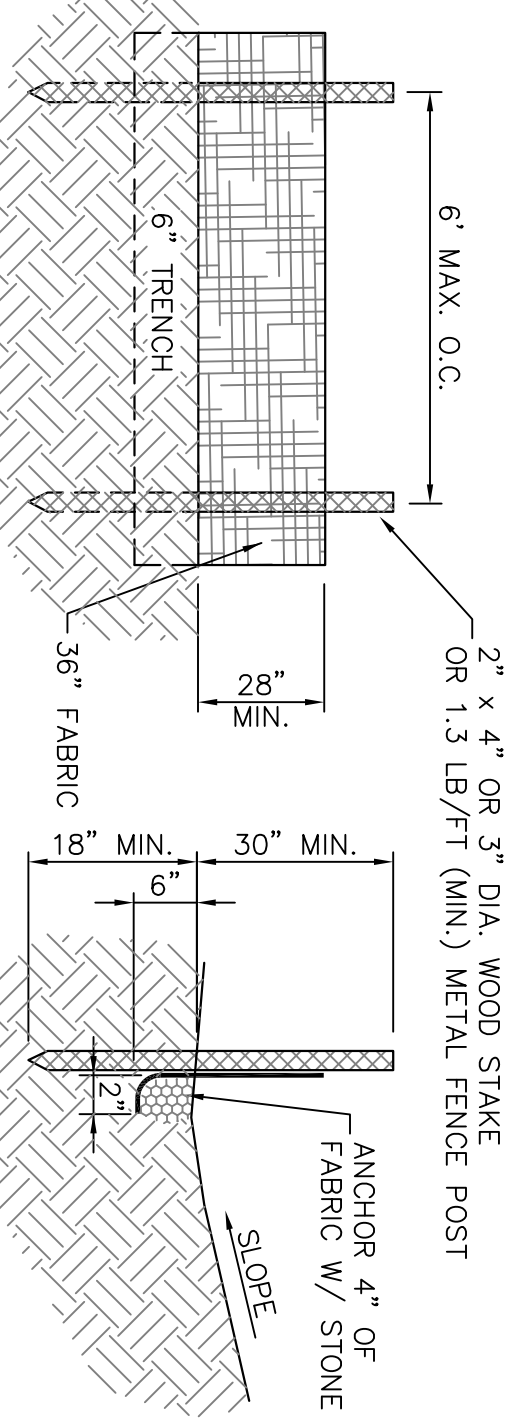
WHEEL STOP DETAIL

N.T.S.



WHEEL STOP PLACEMENT DETAIL

N.T.S.

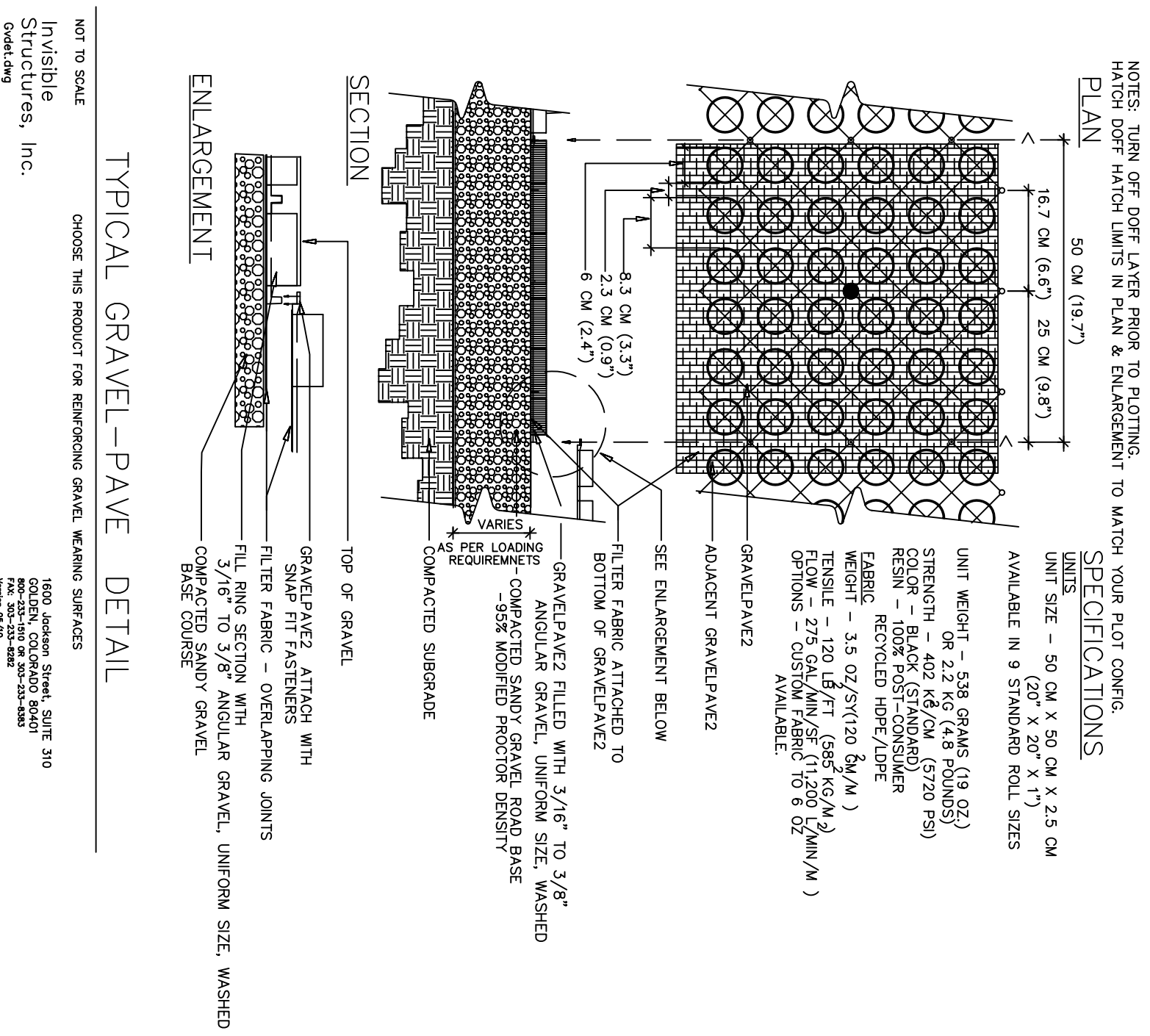


Sd1-A SILT FENCE

N.T.S.

VENDOR OR MANUFACTURER SHALL PROVIDE WARRANTY STATING MATERIAL MEETS D.O.T. SPECIFICATIONS AND IS ON D.O.T. PRODUCTS LIST # 36.

SILT FENCE TO MEET THE REQUIREMENTS OF SECTION 171-T-TEMPORARY SILT FENCE, OF THE DEPARTMENT OF TRANSPORTATION, STATE OF GEORGIA, STANDARD SPECIFICATIONS, 1993.



TYPICAL GRAVEL-PAVE DETAIL

NOT TO SCALE
CHOOSE THIS PRODUCT FROM RECOMMENDED GRAVEL WASHING SURFACES
Invisible Structures, Inc.
1000 Jackson Street, Suite 310
Columbus, Georgia 31906
770-233-1111
www.invisiblestructures.com

GRAVEL-PAVE

1

NOT TO SCALE

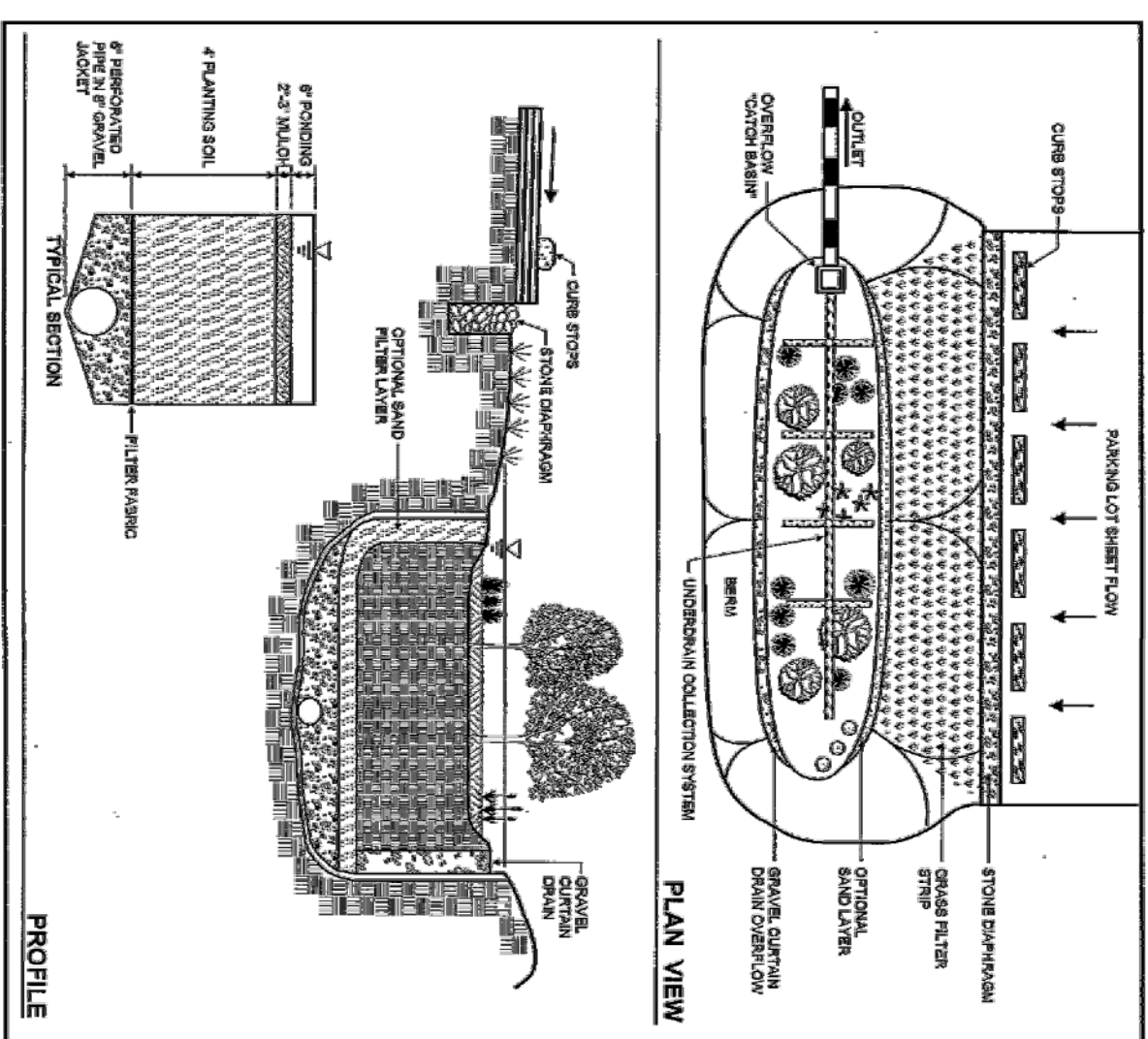


Figure 3.2.3-4 Schematic of a Typical On-Line Bioretention Area

(Source: Claxton and Schuler, 1999)

Volume 2 (Technical Handbook) Georgia Stormwater Management Manual 3.2-35

BIORETENTION SWALE

2

NOT TO SCALE

REVISIONS	
NO.	DATE

LYNWOOD PARK
ADDITIONAL PARKING
PREPARED FOR
CITY OF BROOKHAVEN
4362 PEACHTREE ROAD
BROOKHAVEN, GEORGIA 30319

PROJECT:	14-0057
DRAWN BY:	JDS
CHECKED BY:	GAP
DATE:	08/07/14

THESE DOCUMENTS ARE THE PROPERTY OF LOWE ENGINEERS. THEY ARE TO BE USED ONLY FOR THE PROJECT AND SITE SPECIFICALLY IDENTIFIED HEREIN. ANY REUSE OR MODIFICATION OF THESE DOCUMENTS WITHOUT THE WRITTEN PERMISSION OF LOWE ENGINEERS IS STRICTLY PROHIBITED.

SITE DETAILS

LOWE ENGINEERS

980 HAMMOND DRIVE
SUITE 600
ATLANTA, GEORGIA 30326
TEL: 770-967-8400
FAX: 770-967-8401

SHEET
C400