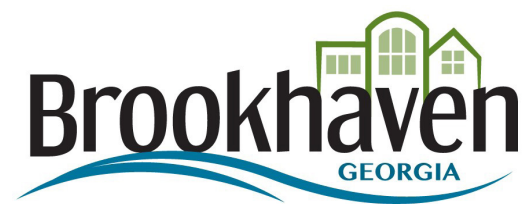


Appendix F:

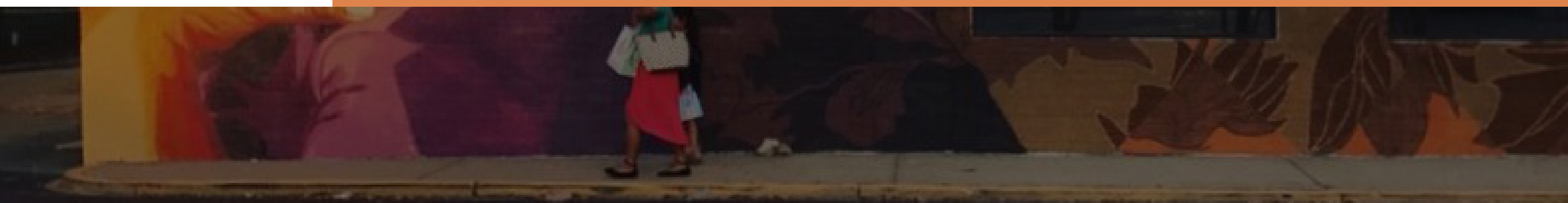
City of Brookhaven Streetscape Design Standards



City of Brookhaven, GA Streetscape Design

BROOKHAVEN, GA | AUGUST 28, 2018

HOUSER WALKER ARCHITECTURE



Lighting - Fixture

Flexibility and Versatility

Appealing Form

The Generation Series LED luminaire is designed to offer a multitude of both traditional and contemporary forms to meet varying market needs. Combining three distinct bases, four unique cage assemblies and a variety of tops and finials, over 100 different styles can be created to complement virtually any application.

Light Fixture Option:

Manufacturer: Eaton

Model #: ARC-080-E-U-(TBD)-3-7-3-GM

Top Type: Architectural

Finial Type: Architectural

Cage Type: Architectural

Base Type: Architectural

Globe Type: Acrylic

Color: Graphite Metallic



Architectural



Architectural
(Spun Top / Top Access)



Architectural



Architectural



Refractive Globe (Type III or V)
Acrylic or Polycarbonate

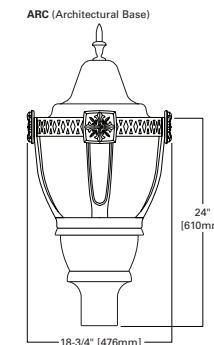
Ordering Information

Sample Number: ACN-080-LED-E-U-33-1-7-3-BK

| Product Family | LED Series | Driver | Voltage | Reflector Type | Cage Type ¹ | Top Type | Finial Type | Color |
|---|----------------|----------------------------|---------------------------|--------------------------|--|--|---|---|
| ACN=Acorn Base ARC=Architectural Base CLB=Classical Base | 080=080 Series | E=Non-Dimming D=Dimming | U=Universal (120-277V) | 33=Type III 55=Type V | Classical 1=Classical A=Classical Sun Gold B=Classical Antique Gold C=Classical Colonial Bronze Modern 2=Modern D=Modern Sun Gold E=Modern Antique Gold F=Modern Colonial Bronze Architectural 3=Architectural G=Architectural Sun Gold H=Architectural Antique Gold J=Architectural Colonial Bronze 6=Avenue ² X=None | 1=Acorn 2=Modern 3=Victorian 4=Classical 5=Avenue (Top Access) ² 6=Nostalgic (Top Access) 7=Architectural (Top Access) | 1=Victorian 2=Modern 3=Architectural 4=Nostalgic X=None | AP=Grey BZ=Bronze BK=Black DP=Dark Platinum GN=Hartford Green GM=Graphite Metallic WH=White |
| Options (Add as Suffix) | | | | | Accessories (Order Separately) | | | |
| 2L=Two Circuits SH=Street Side / House Side Switching A=Twistlock Globe B=Decorative Brass Banding ³ C=Copper Accents 4=Internal NEMA Photocontrol Receptacle U=UL/CSA Listed P=Polycarbonate Refractor | | | | | OA1222=10KV Surge Module GLK080EU=Generations LED Retrofit Light Engine Kit GLK080EU2L=Generations LED Retrofit Light Engine Kit wired for Two Circuit Dimming GLK080EUSH=Generations LED Retrofit Light Engine Kit wired for Street Side / House Side Dimming | | | |

NOTES: 1 Cage type painted to match base. 2 Avenue cage only available with Avenue Top and Architectural base. 3 Available with Acorn and Victorian tops only.

Dimensions



Final Order #: ARC- 080-E-U-(TBD)-3-7-3-GM

Lighting - Base

Light Base/Pole Option:

Manufacturer: Hapco

Model - Pole: York Series Light Pole

Model #- Pole: B16570

Item # - Varies by height - see schedule to right.

Model #- Base: 356-T6

Color: Graphite Metallic to match Fixture

2 1/2" Sch. 40 Pipe
Alloy 6063-T6 (2 7/8" O.D.)

1/2" x 6" Dia. Alum. Adapter
Plate Alloy 6061-T6 (79371)

Notes:
1) This pole meets the requirements of AASHTO "Standard Specifications for Structural, Luminaires and Traffic Signals", 1994 and 2001 Editions per FHWA acceptance letter LS-64 which can be found at: "http://safety.fhwa.dot.gov/roadway_dept/road_hardware/breakaway/pdf/ls64.pdf"
2) Hardware Shall Be "Bagged" For Individual Assemblies.

| Item No. | "A" Mounting Ht. | "B" Tube Length |
|-----------|------------------|-----------------|
| 16570-008 | 8'-0" | 5'-6" |
| 16570-010 | 10'-0" | 7'-6" |
| 16570-012 | 12'-0" | 9'-6" |
| 16570-014 | 14'-0" | 11'-6" |
| 16570-016 | 16'-0" | 13'-6" |
| 16570-018 | 18'-0" | 15'-6" |
| 16570-020 | 20'-0" | 17'-6" |

5" Dia. Fluted Extruded Alum. Tube
.125" Wall Alloy 6063-T6

Decorative Cast Alum. Pedestal Base
Assembly Alloy 356-T6 With Door And
Stainless Steel Screws

2'-6"

17" Dia.

12" Dia. Bolt Circle

3 1/2" Thread

2"

17"

3"

(4) 3/4"-10NC Galv. Stl. Anchor Bolts,
AASHTO M314-90 Grade 55, 10" Of
Threaded End Galv. Per ASTM A153.
(4) 3/4"-10NC Galv. Stl. Hex. Nuts
(4) 3/4" Galv. Stl. Lockwashers
(4) 3/4" Galv. Stl. Flatwashers

10" Dia.

45°

Door Side

12" Dia. Bolt Circle
BREAKAWAY BOLT
CIRCLE PATTERN

Ground Lug (85554)
Welded Inside Opposite Door

Ref: 13421

WARNING: DO NOT INSTALL LIGHTING POLES WITHOUT LUMINAIRES

| NO. | REVISIONS | DATE |
|-----|--------------------------------|-------|
| 1 | Added Note 2 (PRS) | 9/09 |
| 2 | Added -008 (tnb) | 12/11 |
| 3 | Ground Lug Was 41740-002 (tnb) | 1/12 |

hapco
Abingdon, Va.

TITLE YORK SERIES LIGHTING POLES
CUSTOMER Georgia Power
SCALE 16 DATE 03/31/2009
BY TNB DWG. NO.
CHK'D B16570

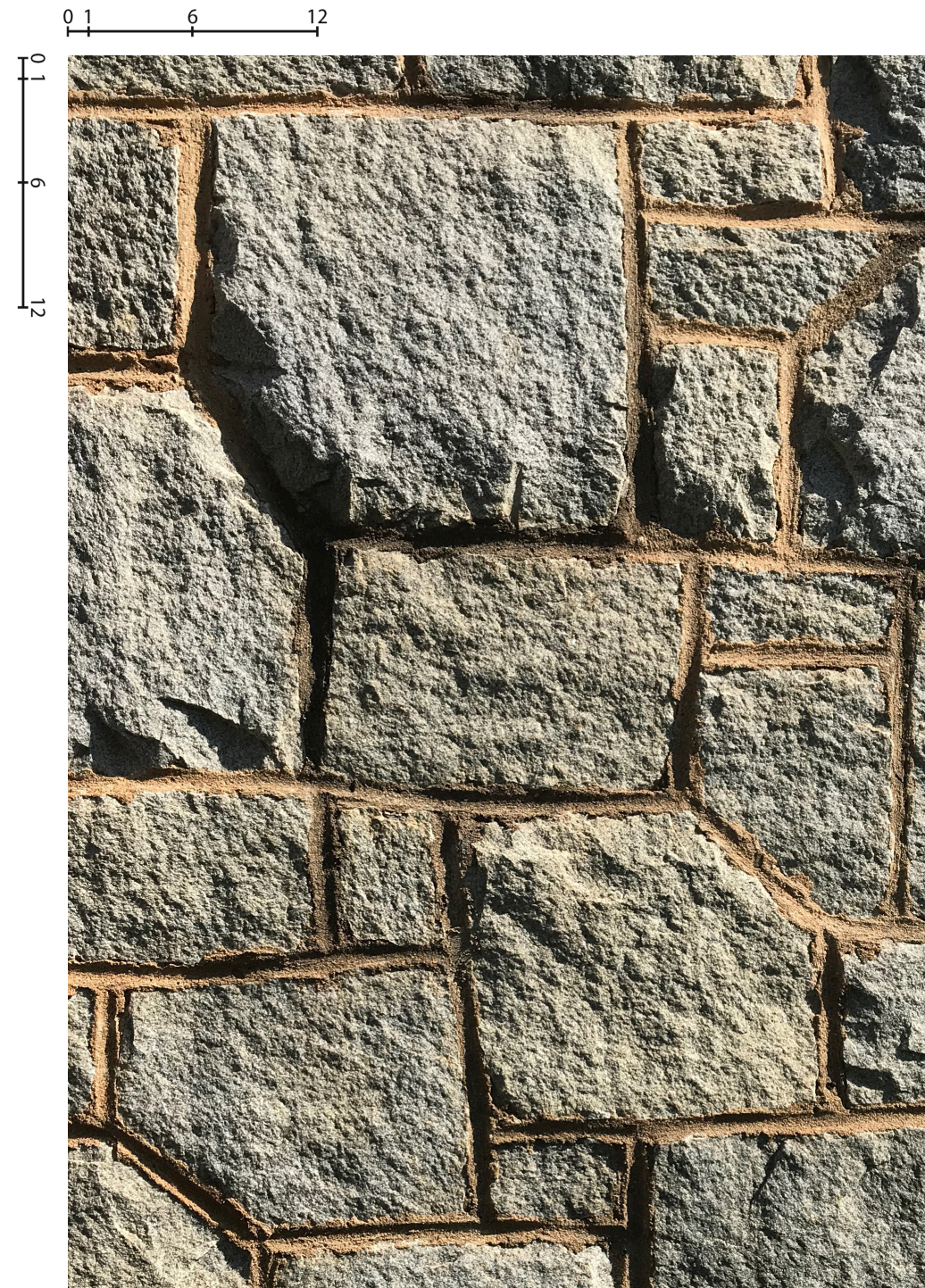
B16570

Granite Walls

Notes:

1. Granite shall be Georgia Blue Granite, similar to that found at the historic Stone Mountain Quarry. The stone should be a rough or rubble texture, approximately 4"-5" deep when utilized in a facing veneer application and sized as required if utilized in a structural application.
2. Walls should be installed with inconspicuous weeps and a full mortar net above the solid grout filled line. Designer to determine if flashing is required.
3. Stone pattern to approximate overall pattern at right, a random ashlar with tight fitting joints that are even across the wall, approximately 1/2", tooled to a "beaded" joint.
4. Mortar color to be finalized to match coloration of final stone by designer.
5. Mortar to be Type S unless recommended by Designer.

Scale to right shown in inches.



Guard Railing Systems

Material: Hot rolled Steel

Finish: Powdercoat finish

Infil Panel Design: TBD

Connectors hardware: Stainless Steel 304

Base insert: Stainless steel sleeve, 2" diameter, backfilled with non-shrink grout.

Inset depth to be 12" minimum.

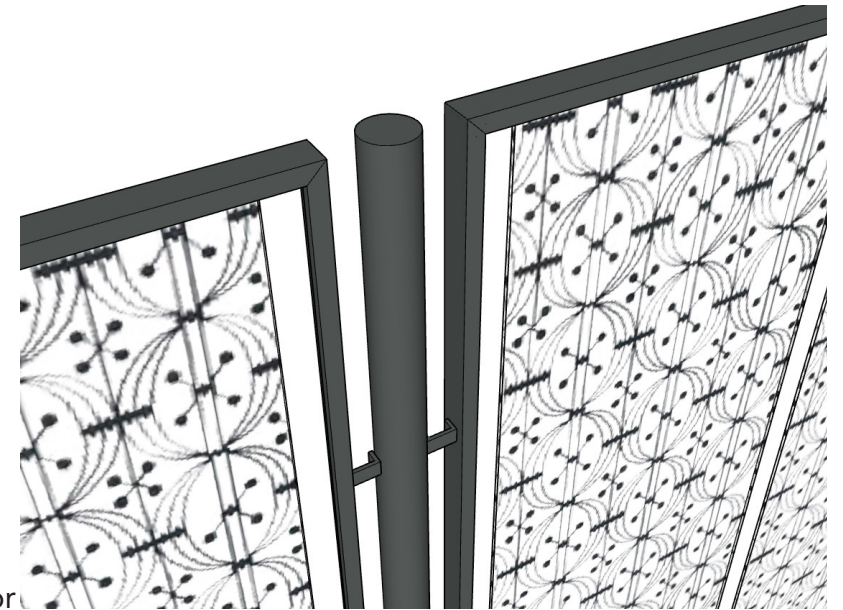
Notes:

1. The railings will be a square pipe rail frame, at 4 foot intervals, that accepts digitally fabricated metal panels that can reflect the unique situations and locations that they are installed in.

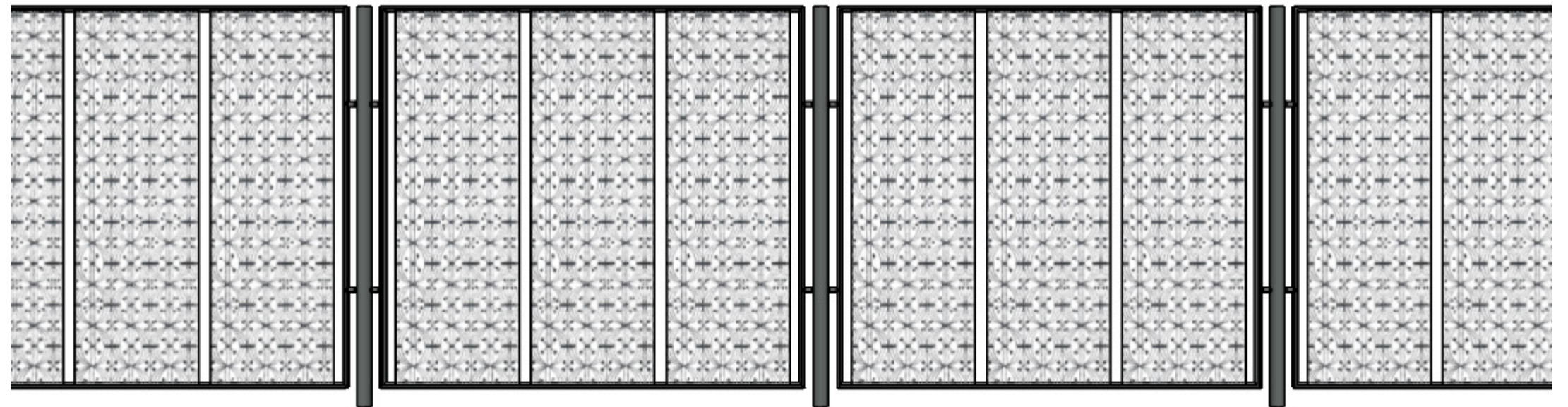
2. All steel to be shop welded and finished.

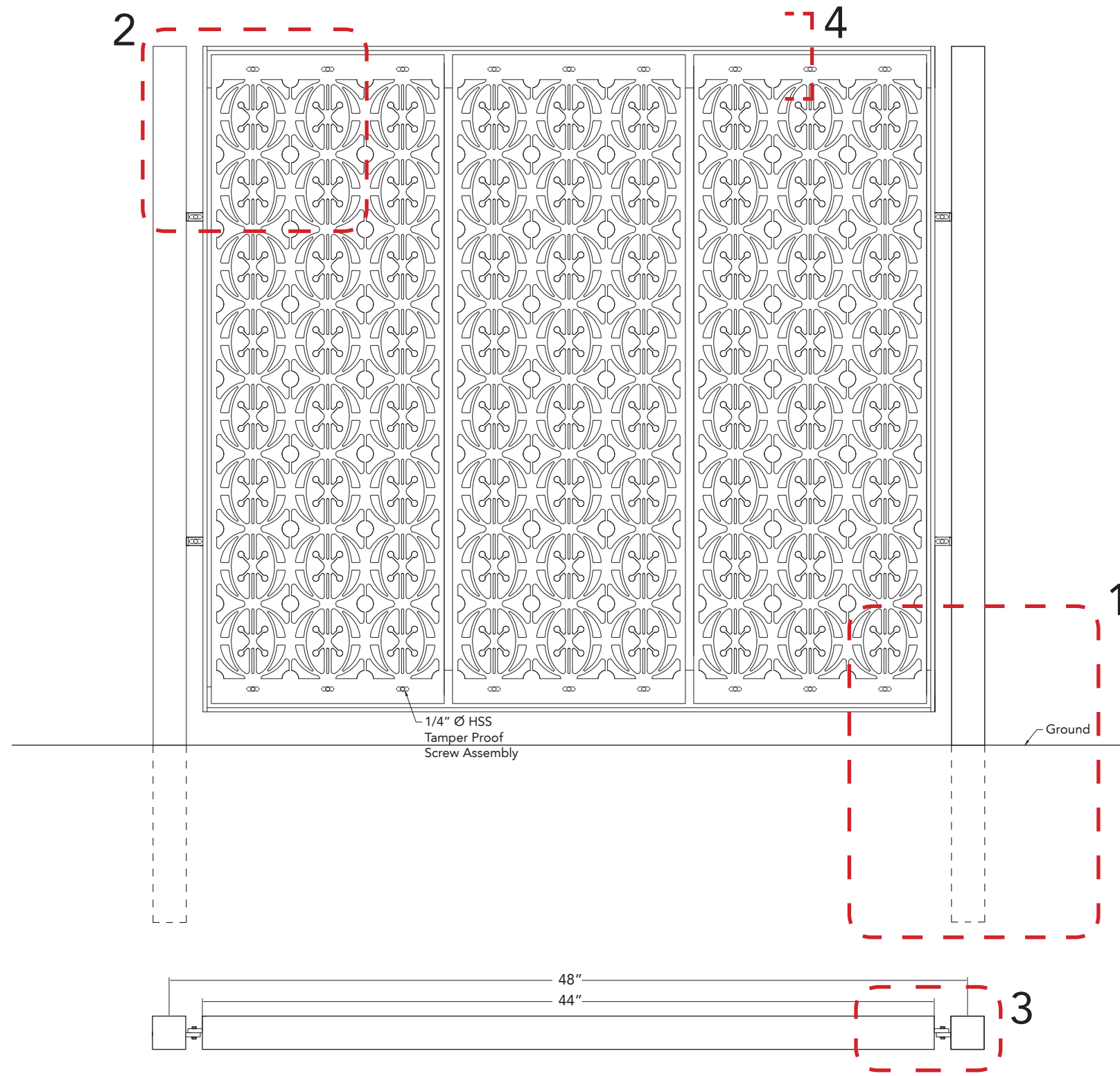
3. Finish assembly to be completed in field.

Color: RAL 9007



Detail at Connector





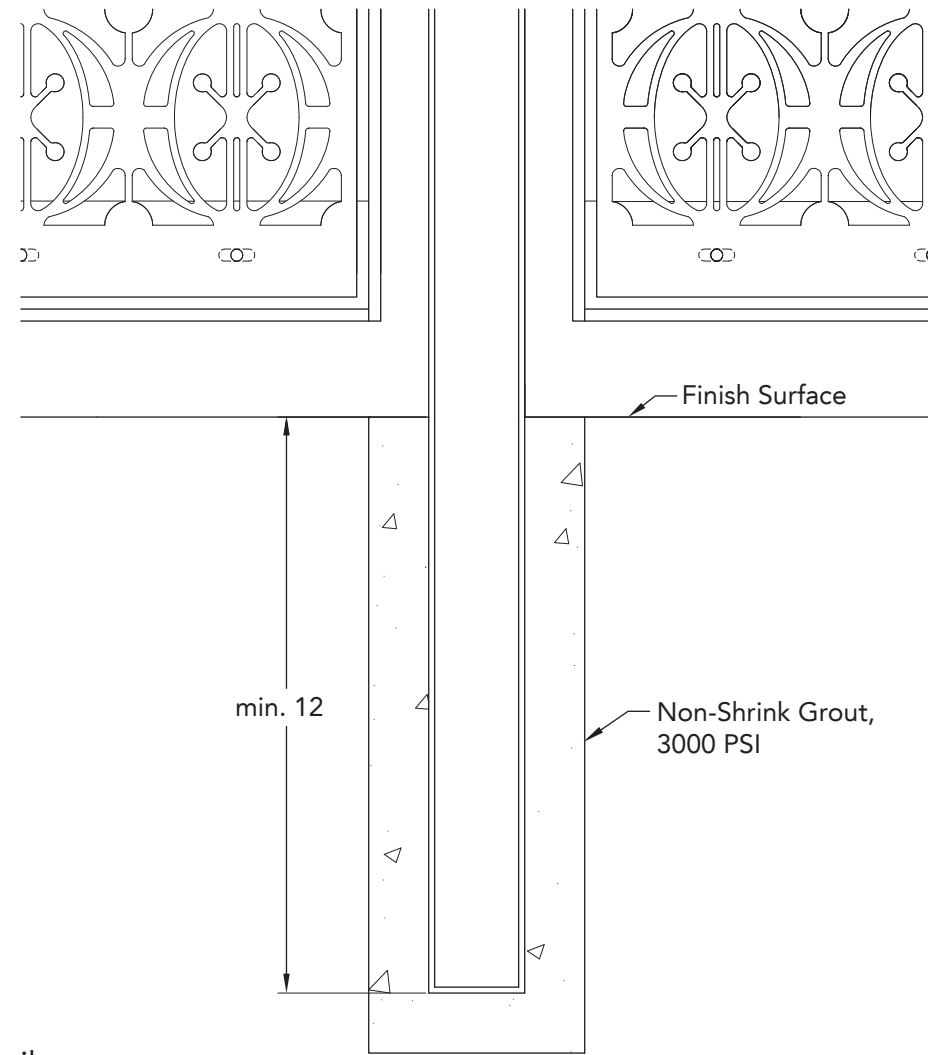
Typical Bay Elevation



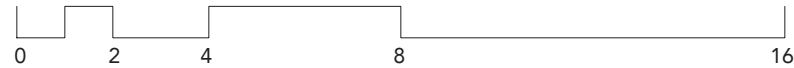
Typical Bay Plan



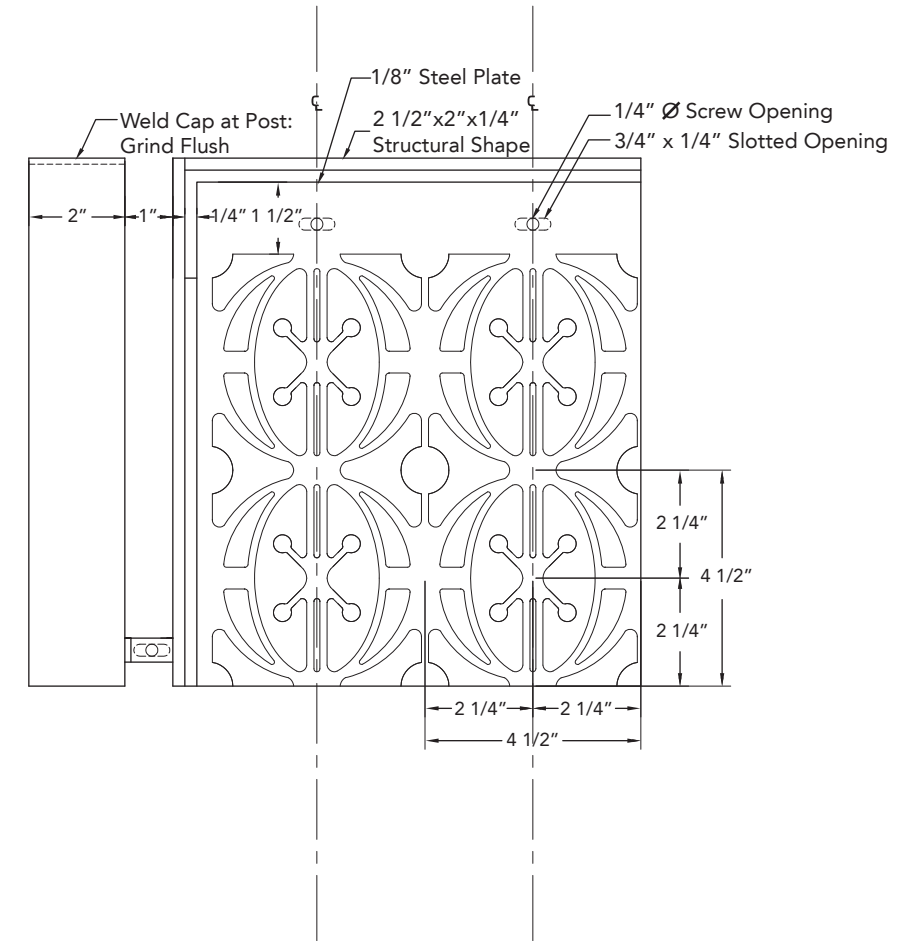
1



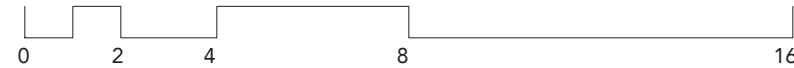
Post Anchor Detail



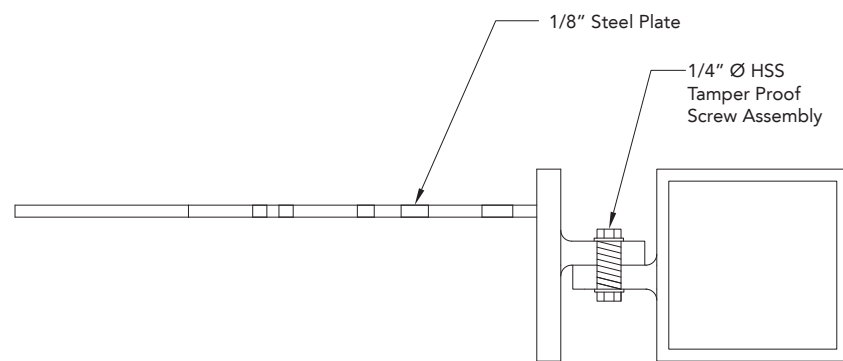
2



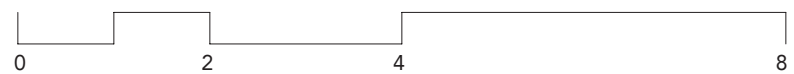
Elevation Detail at Panel



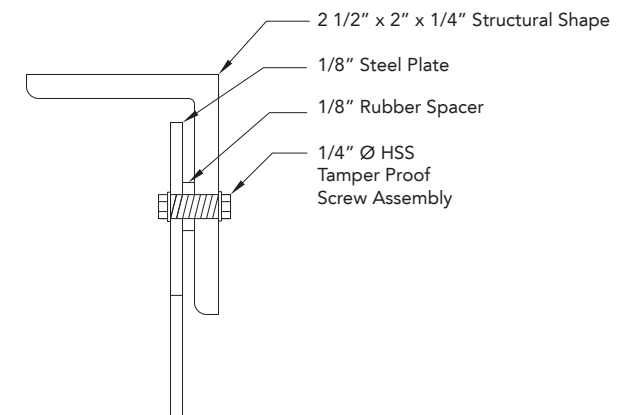
3



Plan Detail at Frame/Post Connection



4



Section Detail at Frame/Panel Connection





Signage

Notes:


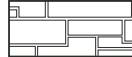
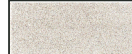
1. The same font family or families should be used across all official signage.
2. The font used by the City is Book Antiqua Bold. Sizing of typography to be determined by Designer based on the application.
3. Paints, when needed, should be as listed to the right. Paint type should be determined by Designer based on application, substrate, exposure, and weathering needs.
4. Additional materials for signage, when required, should conform to the Aluminum and Cast Stone as shown at the right.
5. All signage should be coordinated with the City.

EXTERIOR SIGNAGE NOTES AND FINISHES

PAINT SCHEDULE

| | | |
|---|-----------|--|
|  | P1 | AkzoNobel Dulux <i>Spider's Web - 90YY 73/040</i> |
|  | P2 | Matthews Paint <i>Obsidian - MP04836 LRV 6.5</i> |

MATERIAL SCHEDULE

| | | |
|---|-----------|---|
|  | M1 | 1/8" Thick Aluminum |
|  | M2 | Aztec Field Stone http://aztecstoneempire.com/products/elberton-granite-rubble |
|  | M3 | Continental Cast Stone - Smooth Face 1103 Whitestone http://www.continentalcaststone.com/colors/default.htm |

A B C D E F G H I J K L M N O P Q R S T U V W X Y Z
a b c d e f g h i j k l m n o p q r s t u v w x y z

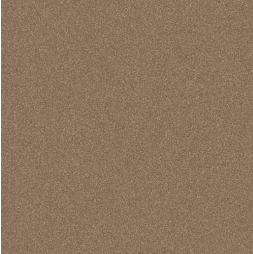
TYPEFACE 1 - Book Antiqua Bold

2 Project Typefaces

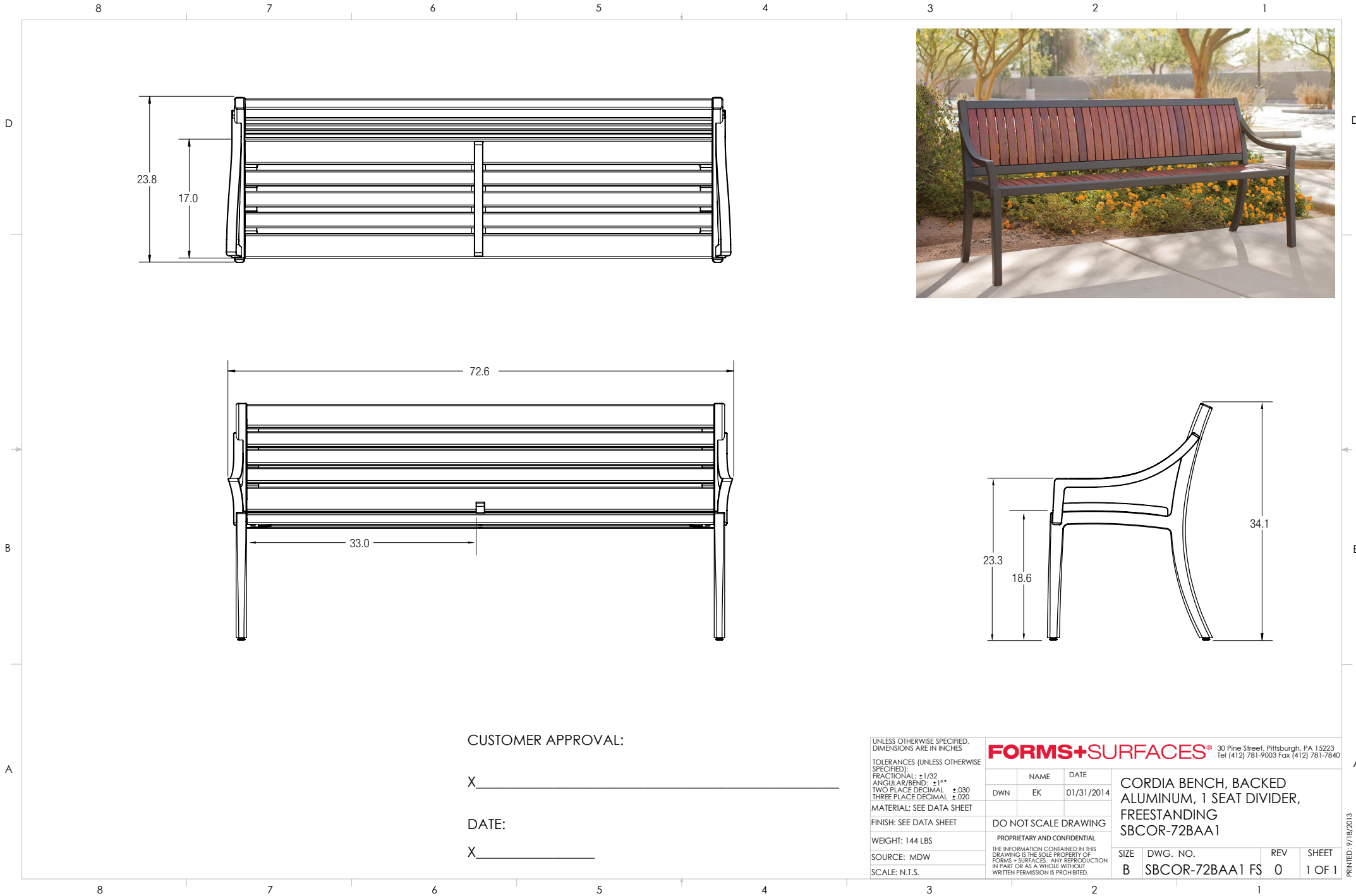
Bench

Street Bench Base Option:
 Manufacturer: Forms+Surfaces
 Model: Cordia Bench
 Model #: SBCOR-72BAA1
 Intermediate Arm: Available
 Length: 72.6"

Base Color: Dark Bronze Metallic



Seat/Back Material: FSC® 100% Jatoba hardwood.



CUSTOMER APPROVAL:
 X _____
 DATE:
 X _____

| | | | |
|--|-----------------|--|---------------|
| UNLESS OTHERWISE SPECIFIED, DIMENSIONS ARE IN INCHES | | FORMS+SURFACES ® 30 Pine Street, Pittsburgh, PA 15223 Tel (412) 781-9003 Fax (412) 781-7840 | |
| TOLERANCES (UNLESS OTHERWISE SPECIFIED): FRACTIONAL: +1/32 ANGULAR/BEND: ±1° TWO PLACE DECIMAL: ±.030 THREE PLACE DECIMAL: ±.000 MATERIAL: SEE DATA SHEET | | NAME | DATE |
| FINISH: SEE DATA SHEET | | DWN | EK 01/31/2014 |
| WEIGHT: 144 LBS | | DO NOT SCALE DRAWING | |
| SOURCE: MDW | | PROPRIETARY AND CONFIDENTIAL | |
| SCALE: N.T.S. | | THE INFORMATION CONTAINED IN THIS DRAWING IS THE SOLE PROPERTY OF FORMS+SURFACES. ANY REPRODUCTION IN PART OR AS A WHOLE WITHOUT WRITTEN PERMISSION IS PROHIBITED. | |
| SIZE | DWG. NO. | REV | SHEET |
| B | SBCOR-72BAA1 FS | 0 | 1 OF 1 |

Trash Receptacle

Trash Receptacle Base Option:

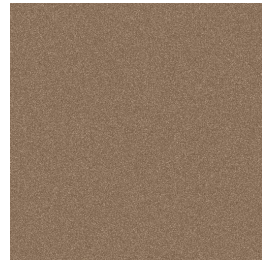
Manufacturer: Forms+Surfaces

Model: Cordia Receptacle, 36 GAL

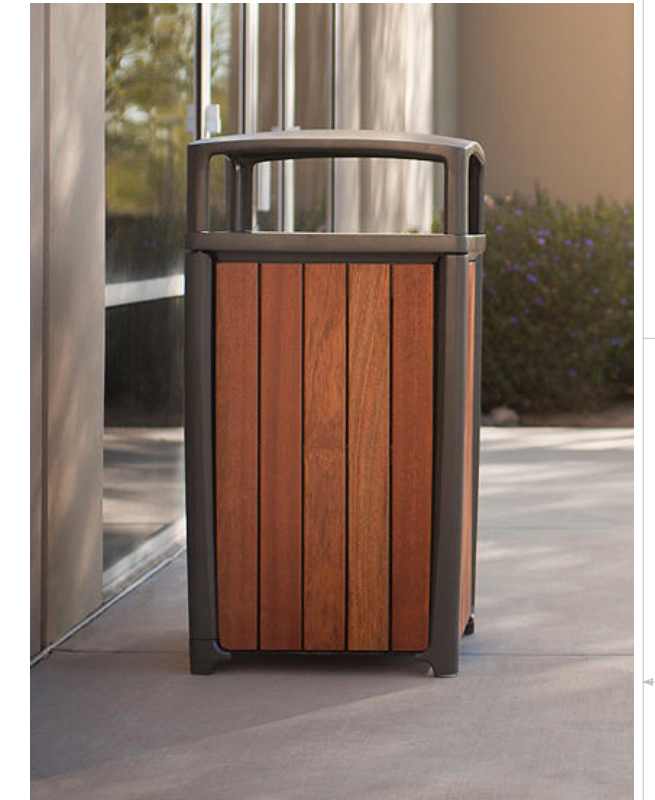
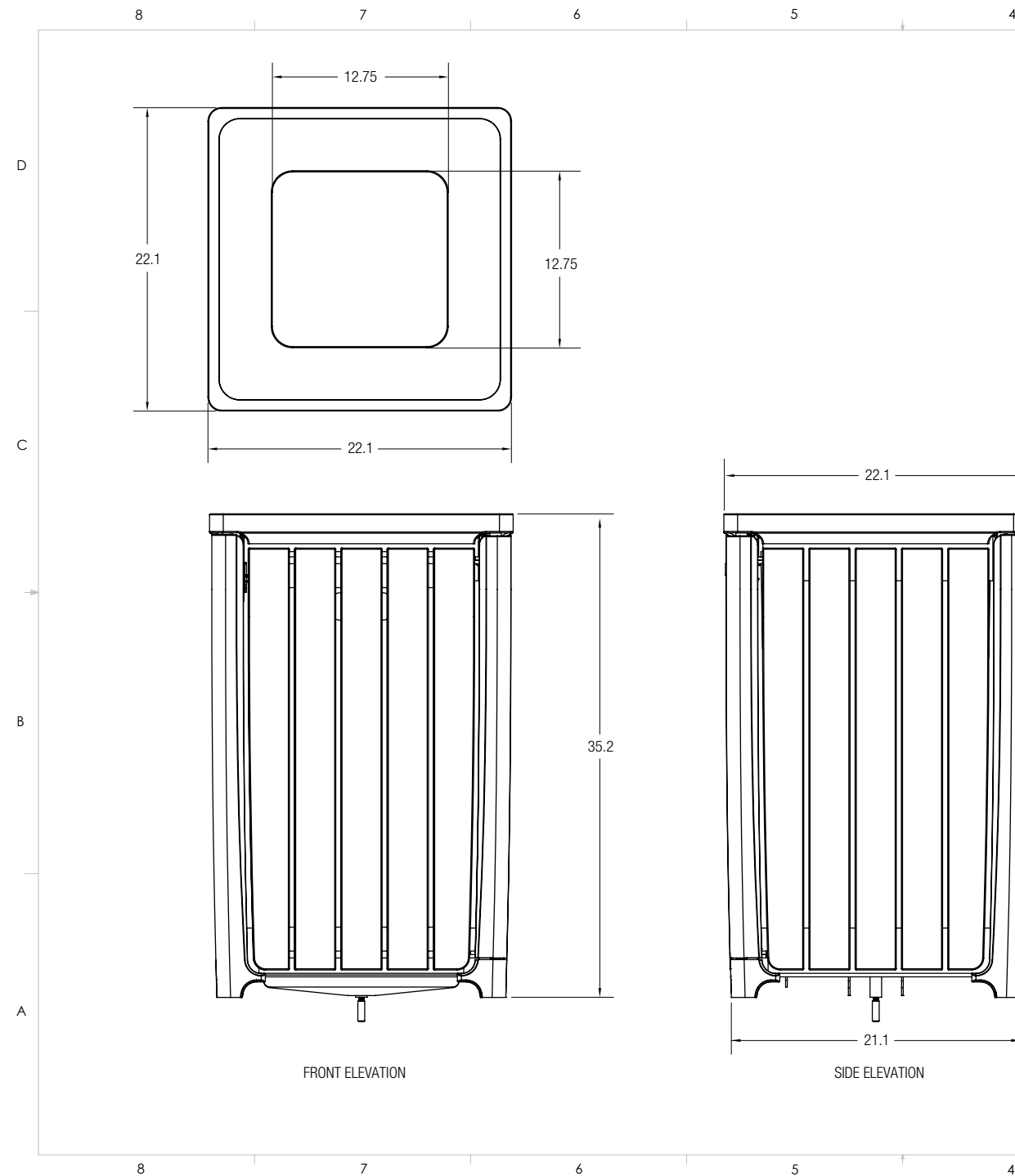
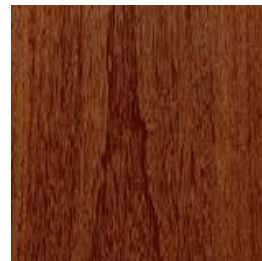
Model #: SBCOR-136J-SM

Include rain protected top

Base Color: Dark Bronze Metallic



Infill Material: FSC® 100% Jatoba hardwood.



CUSTOMER APPROVAL:

X _____

DATE:

X _____

| | | | |
|--|--|--|---------------|
| UNLESS OTHERWISE SPECIFIED, DIMENSIONS ARE IN INCHES | | FORMS+SURFACES ® 30 Pine Street, Pittsburgh, PA 15223 Tel (412) 781-9003 Fax (412) 781-7840 | |
| TOLERANCES (UNLESS OTHERWISE SPECIFIED): FRACTIONAL: ±1/32 ANGULAR/BEND: ±1° TWO PLACE DECIMAL: ±.030 THREE PLACE DECIMAL: ±.020 | | NAME | DATE |
| MATERIAL: SEE DATA SHEET | | DWN | ARW 2/07/2014 |
| FINISH: SEE DATA SHEET | | DO NOT SCALE DRAWING | |
| WEIGHT: 99 LBS | | PROPRIETARY AND CONFIDENTIAL | |
| SOURCE: MDW | | THE INFORMATION CONTAINED IN THIS DRAWING IS THE SOLE PROPERTY OF FORMS + SURFACES. ANY REPRODUCTION IN PART OR AS A WHOLE WITHOUT WRITTEN PERMISSION IS PROHIBITED. | |
| SCALE: N.T.S. | | SIZE | DWG. NO. |
| | | B | SLCOR-136J-SM |
| | | REV | SHEET |
| | | 0 | 1 OF 1 |

Bike Rack

Bike Rack Base Option:

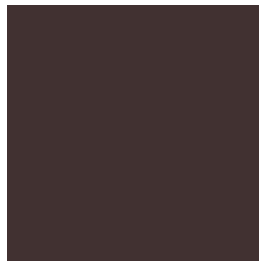
Manufacturer: Canterbury Designs

Model: Campus Bike Rack

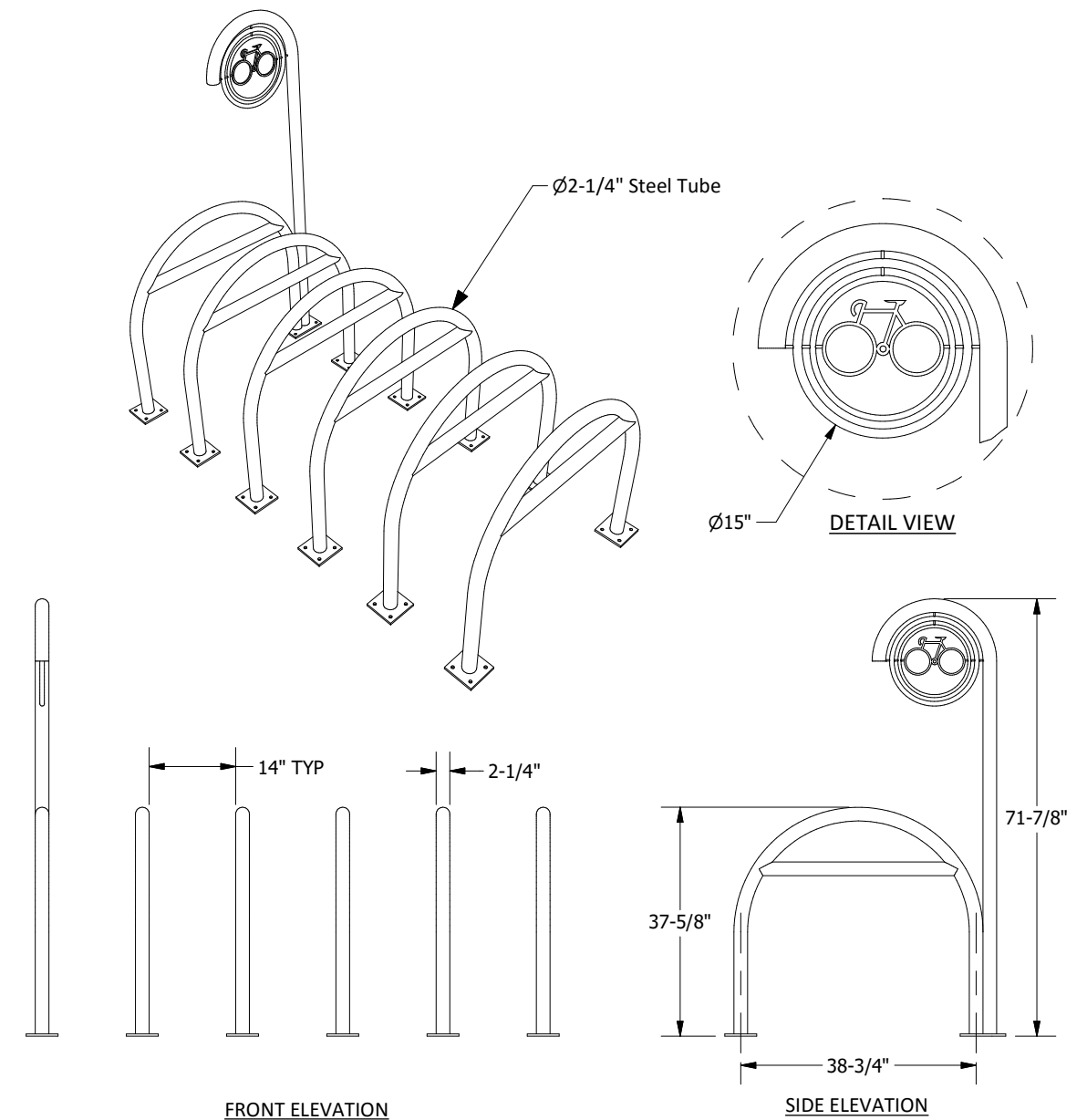
Model #: BRCP-72

Length: Varies - as needed by circumstances and site location. Configuration as shown is 72" in length.

Base Color: RAL 8019



Logo: Custom logo can be installed where the bike symbol is shown.



NOTES:

1. All metal components are sandblasted, cleaned, and finished with zinc epoxy primer and polyester powder coat.
2. All dimensions nominal.
3. Anchor bolts by others.

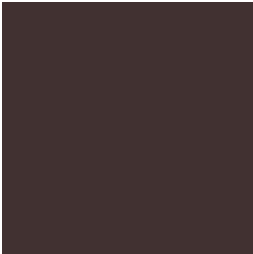
Planter

Bowery Planter - 36" Square
PLBW-36-SQ

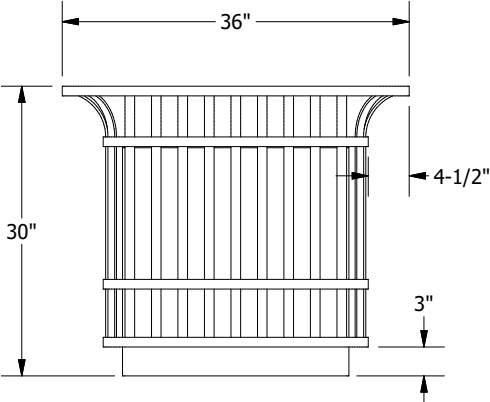
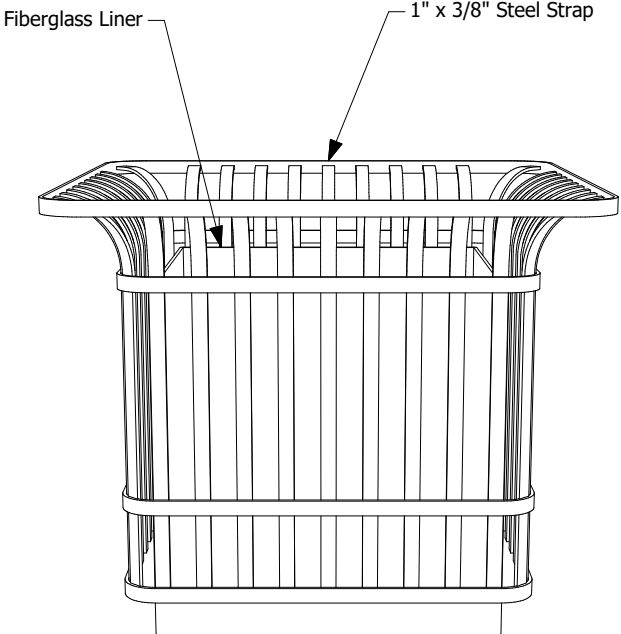
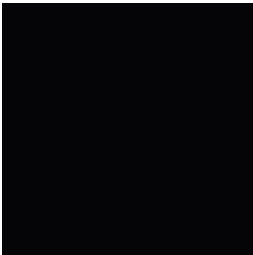
5632 W. Washington Blvd. | Los Angeles, CA 90016 | 323.936.7111
Website: www.canterbury-designs.com | E-mail: info@canterbury-designs.com

Planter Base Option:
Manufacturer: Canterbury Designs
Model: Bowery Planter - 36" Square
Model #: PLBW-36-SQ

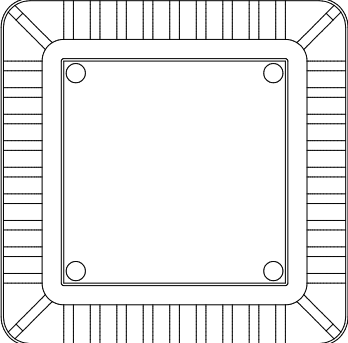
Base Color: RAL 8019



Liner Material: Gloss black coated fiberglass



FRONT VIEW



BOTTOM VIEW

- NOTES:**
1. All metal components are sandblasted, cleaned, and finished with zinc epoxy primer and polyester powder coat.
 2. Fiberglass liner provided with black gloss gel coat finish.
 3. All dimensions nominal.
 4. Bottom- 1/2" Leveler bolt and jam nuts with non-marring pad.
 5. Custom sizes available upon request.

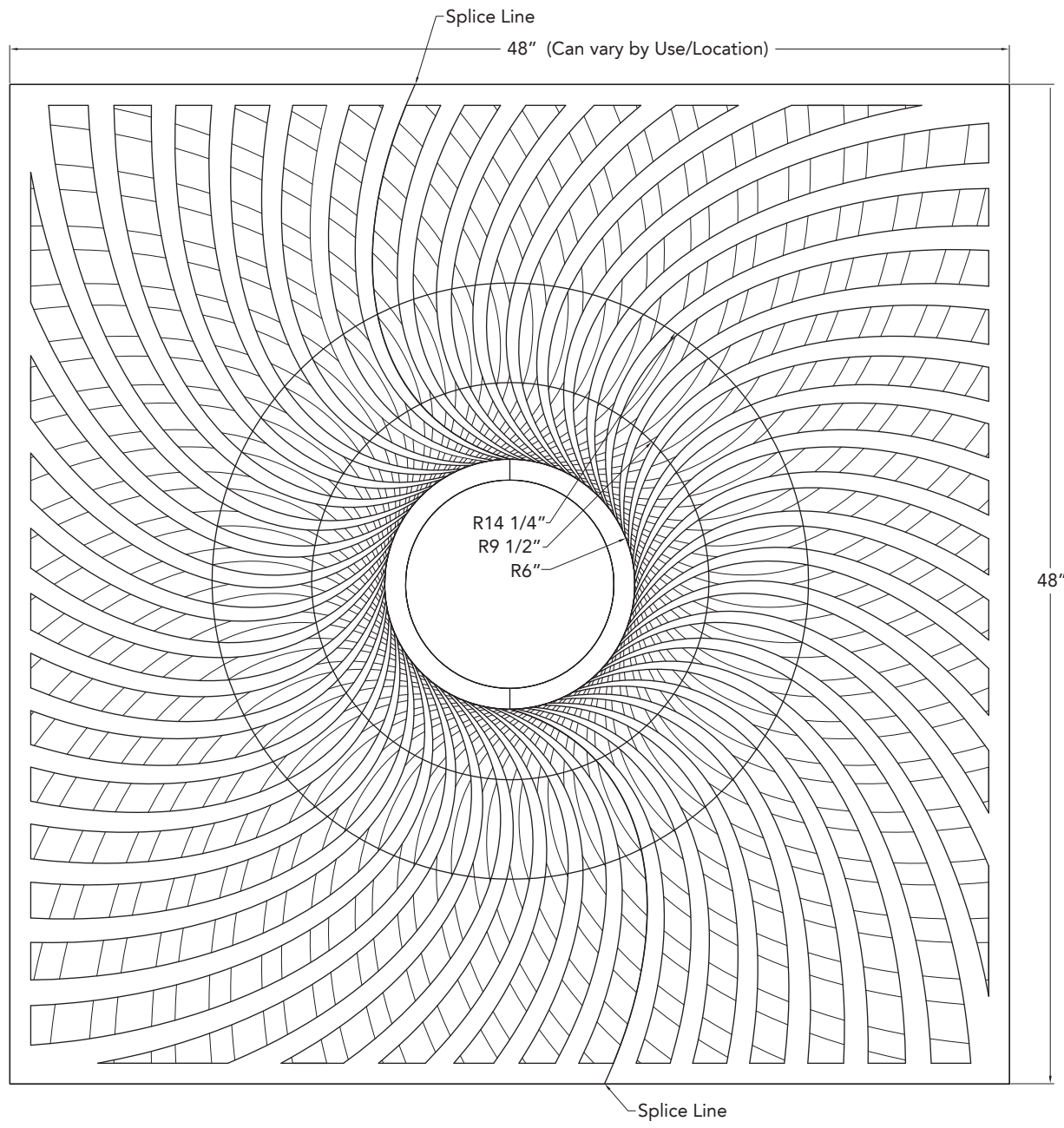
Tree Grate

Tree Grate 1:

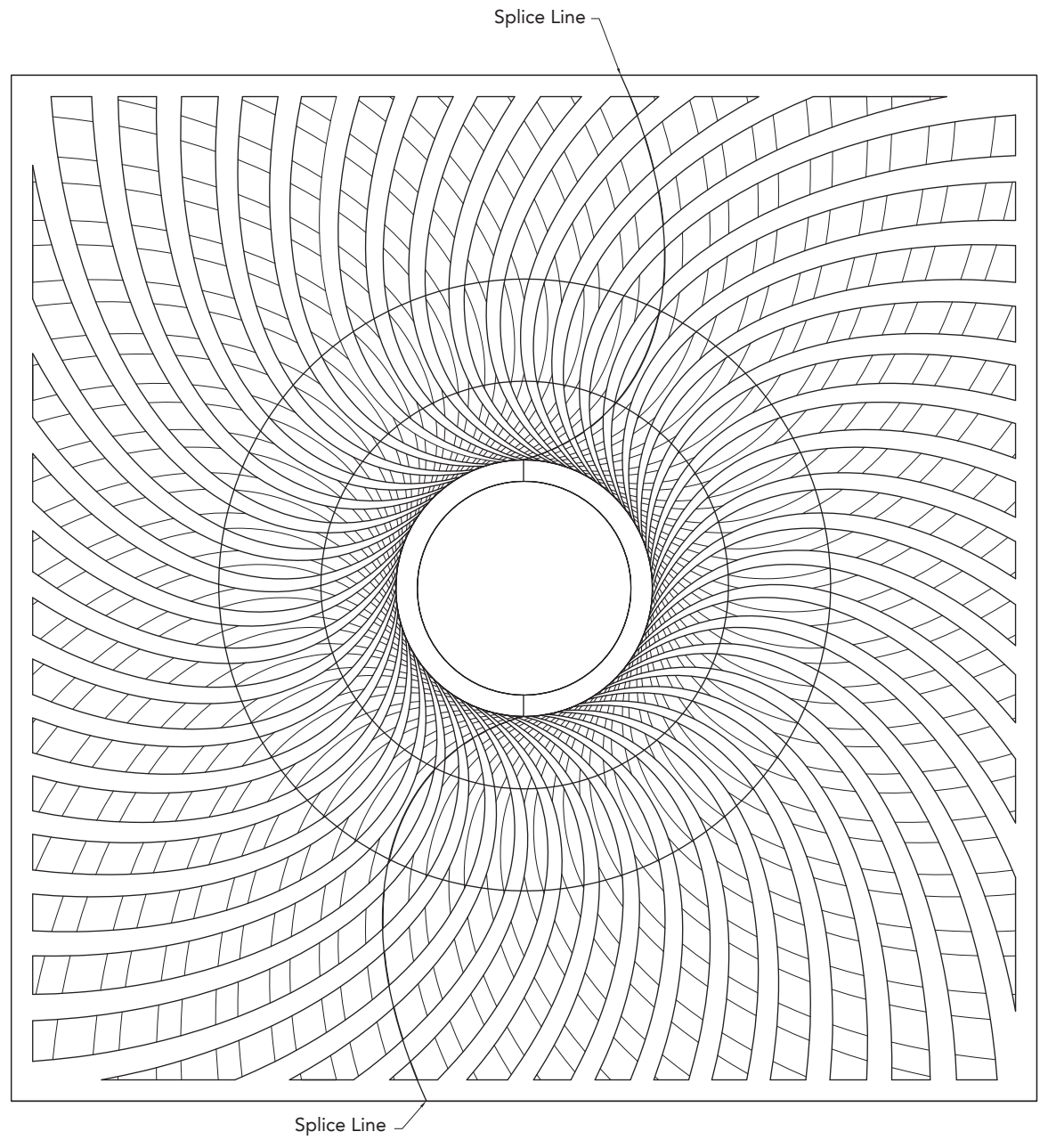
Manufacturer: Custom Design to match
Material: 1/2" plate steel, powdercoated
finish.

Base Color: RAL 6007





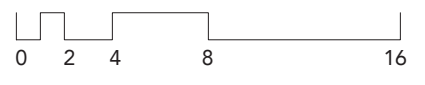
Top of Grate

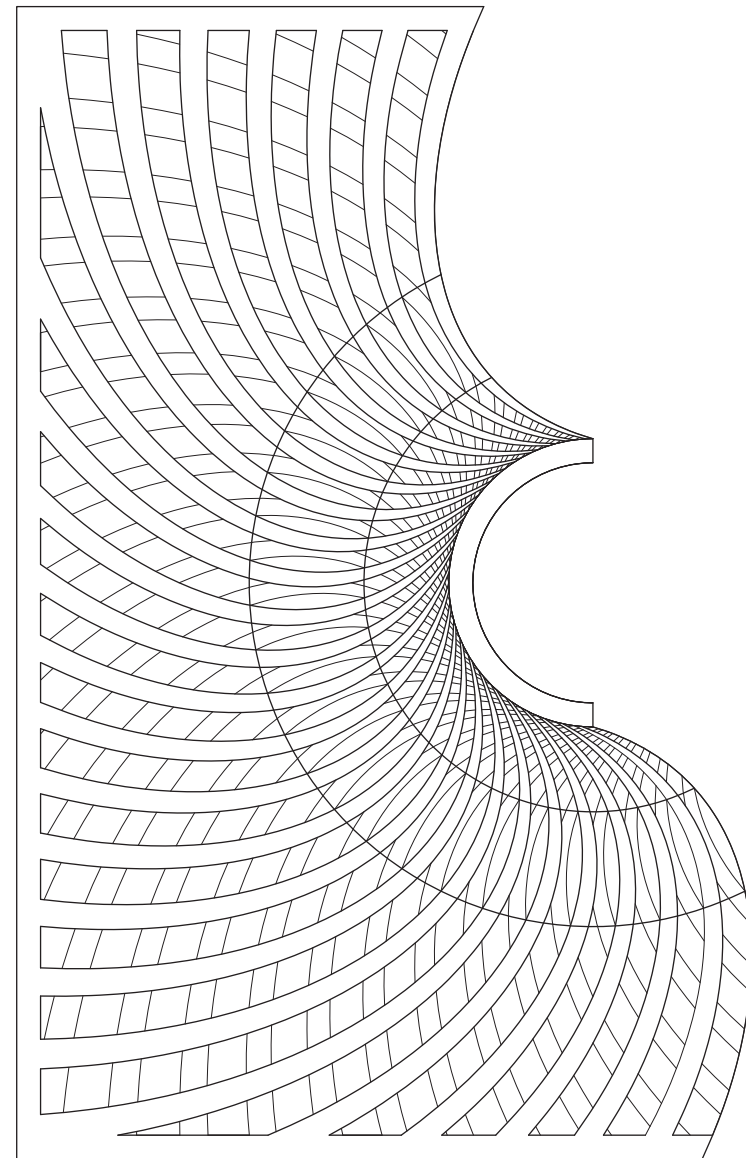


Bottom of Grate

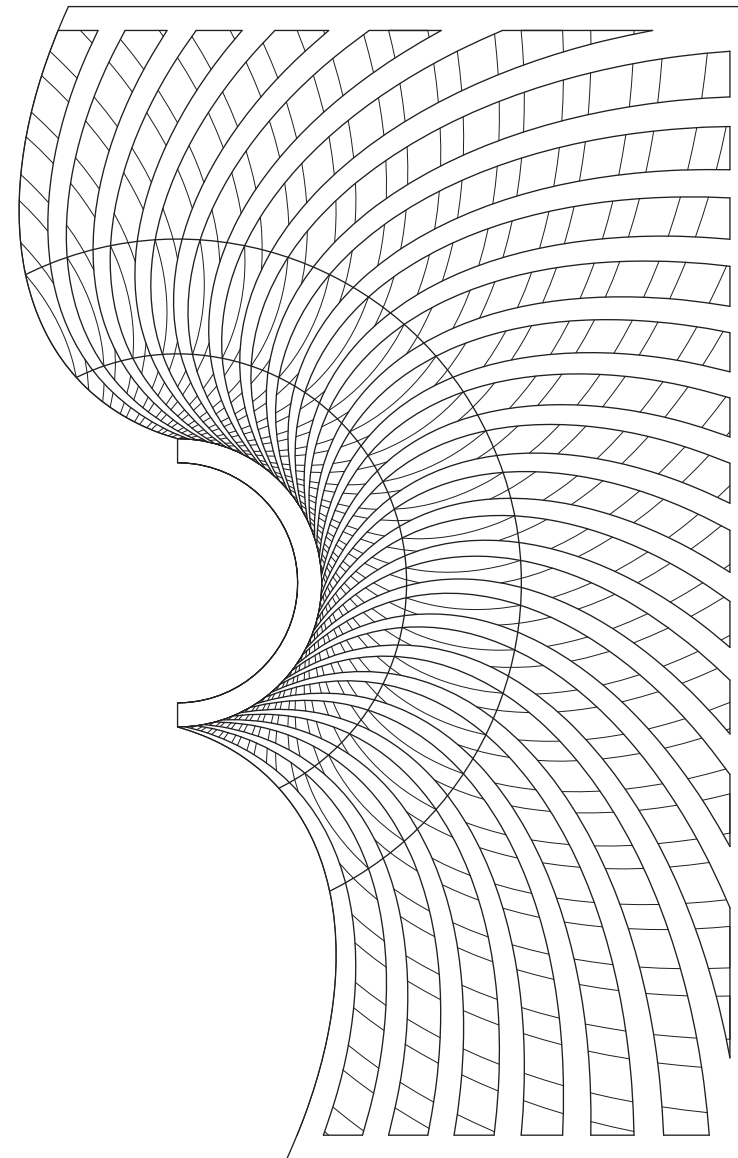
Grate to be milled from solid stock, 1/2" thick
 Powdercoated Finish
 Rings to be inset and removable

Tree Grate Plan



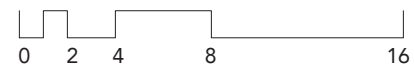


Part A



Part B

Tree Grate Split



Tree Grate Frame

Tree Grate Frame Base Option:

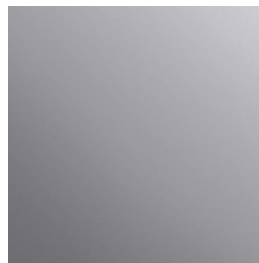
Manufacturer: Urban Accessories


Model # "A" or "S" or "P" as shown, depending on adjacent surface and sidewalk construction.

Material: Stainless steel 304L

Size: TBD - 4' square to be standard unless situational needs dictate another size.

Base Color: Milled finish



| | | |
|------------------------------|--|--|
| <p>"P" Paver</p> | | <p>STANDARD SPECIFICATIONS</p> <ul style="list-style-type: none"> -Frames are constructed of mild steel ASTM A36 angle iron or other shapes as necessary. -Finish will be natural patina of raw steel. -All visible welds to be ground smooth on outside edges. -Frames will be true to square, or diameter. -Dimensions are nominal. -Frame is load rated for pedestrian traffic only. -Top of grate flush with grade of surrounding topping material (paver, concrete slab, etc.). -Typical 1/8" horizontal gap between grate and frame. |
| <p>"A" Adjustable</p> | | <p>OPTIONAL SPECIFICATIONS</p> <p>Material:</p> <ul style="list-style-type: none"> □ Stainless Steel grade 304L □ Architectural Bronze, ASTM B455 □ Structural Aluminum, ASTM B221 <p>Finish:</p> <ul style="list-style-type: none"> □ Polyester Powder Coat (see catalog for color options) □ Liquid Coat (wet paint) □ Brush (bronze and aluminum only) □ Polish (bronze and aluminum only) □ Galvanized <p>Load Classifications</p> <ul style="list-style-type: none"> □ Light Vehicular □ H20/H520 <p>*(Additional steel support may be added for optional load classes. Please contact UA for revised cut sheet, as necessary.)</p> |
| <p>"S" Standard</p> | | <p>FRAME TYPES</p>  <p>URBAN ACCESSORIES 465 EAST 15TH ST. TACOMA, WA 98421 PH: 877-487-0488 FAX: 253-572-1119</p> <p>PAGE: 1 OF 2 DATE: 5/22/08</p> |